

# AF 156 *XSafe*

## Self Contained Ice Machine 160 kg

Item #:
Project:
Quantity:



### FEATURES

- Produces granular shape ice flakes, 75% hardness. Ice scoop holder safely positioned in ice-storage bin.
- Resistant stainless steel exterior.
- Advanced diagnostics computerized control.
- Front panel in & out airflow (air-cooled model only) for built-in installation.
- Front access condenser air filter, removable and washable (air cooled version).
- Easily accessible, front panel mount, ON-OFF Switch.
- Easy, front panel access to technical / service area of the machine. Routine maintenance visible alarm light on front panel.
- Ergonomically designed ice storage access, with disappearing door. Door-closing movement dampening system.
- XSafe: natural sanitation system, integrated inside the ice maker and operating automatically 24/7 to keep equipment clean & safe.



AF 156  
Flake ice  
Residual water content 25%

### CONDENSING SYSTEM

Air cooled  
Water cooled

### REFRIGERANT GAS

R134a

### VOLTAGE V/Hz/ph

230/50/1

### INTERNAL BIN CAPACITY

60 kg

### CERTIFICATIONS



### OPERATING REQUIREMENTS

	Minimum	Maximum
Air temperature	10	43
Water temperature	5	38
Water pressure	1 bar (14 psi)	5 bar (70 psi)
Electrical voltage	-10%	+10%

**IMPORTANT NOTICE:**  
Models and specifications are subject to change without notice. This spec sheet is meant for commercial purpose only. For technical documentation please refer to our service manuals.

[www.scotsman-ice.it](http://www.scotsman-ice.it)  
[www.scotsman-ice.com](http://www.scotsman-ice.com)

Self Contained Ice Machine 160 kg

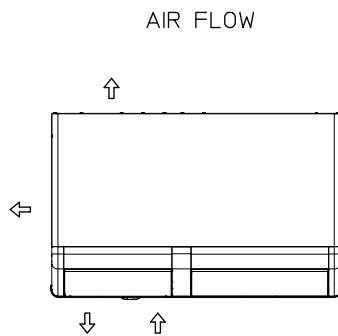
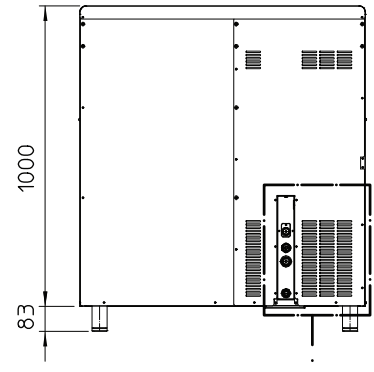
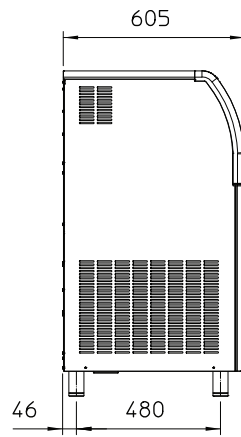
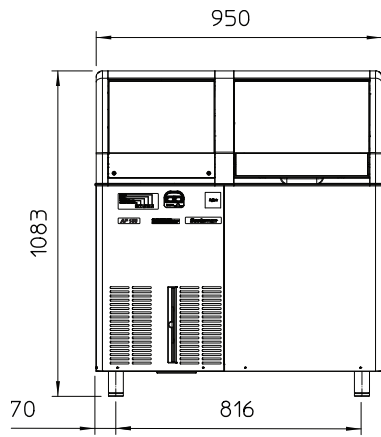
# AF 156 XSafe

**Scotsman**  
Ice Systems

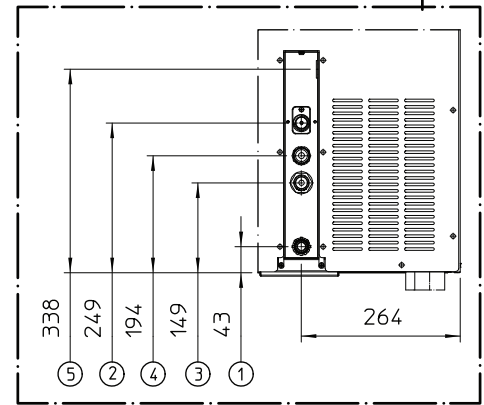
Self Contained Ice Machine 160 kg

Item #:
Project:
Quantity:

Self Contained Ice Machine 160 kg



- UNIT OF MEASUREMENT: mm
- 25/32" - OVERFLOW DRAIN
  - 3/4" GAS - WATER INLET
  - 3/4" GAS - WATER OUTLET WATER COOLED UNIT ONLY
  - 3/4" GAS - WATER INLET WATER COOLED UNIT ONLY
  - CORD SET



UNIT DATA		SHIPPING DATA									
Size (W x D x H)	950 x 605 x 1083 mm	Carton (W x D x H)	1030 x 680 x 1170 mm								
Net weight	75 kg	Weight	88 kg								
		24 h ice production kg °C Amb. / °C Water			Energy consumption (*)		Water usage (*)	Instant power	Compressor	Circuit wires	Max. fuse size
Version	Voltage	10°C/10°C	21°C/10°C	32°C/21°C	kWh/100 kg	kWh/24h	l/h	W	W	No. x Ømm <sup>2</sup>	A
AF 156 AS	230/50/1	160	150	118	11.0	13.0	5.2	590	1570	3 x 1.5	10
AF 156 WS	230/50/1	158	148	130	9.2	12.0	42.0	500	1570	3 x 1.5	10

(\*) Data refer to 32°C Amb. / 21°C Water temperature conditions

ติดต่อตัวแทนจำหน่าย

บริษัท เอส.บี. เคมิคอล ซัพพลาย เซอร์วิส จำกัด

เลขที่ 180/17 หมู่ที่ 12 ถนนรัตนพิศาล ต.บางพลีใหญ่ อ.บางพลี จ.สมุทรปราการ 10540

โทร. 02-3250278, 02-3165476 แฟกซ์ 02-3250279

มือถือ 08-1778-0304, 08-9093-2875

[www.sbdishwasher.com](http://www.sbdishwasher.com)