

# AC 126

## Self Contained Ice Machine 70 kg

Item #:
Project:
Quantity:



### FEATURES

- Produces individual Gourmet crystal clear ice cubes.
- Resistant stainless steel exterior.
- Advanced diagnostics computerized controls.
- Front panel in and out airflow (air-cooled model only) for built-in installation.
- Front access condenser air filter, removable and washable (air cooled version only).
- Easily accessible front panel mount ON-OFF Switch.
- Routine maintenance visible alarm light on front panel. Water system protected by patented anti-scale system.
- Ergonomically designed ice storage access, with disappearing door. Door-closing movement dampening system.



AC L 126  
Large Gourmet 39 g  
Ø 38 x H 41 mm



AC M 126  
Medium Gourmet 20 g  
Ø 30 x H 34 mm



AC S 126  
Small Gourmet 8 g  
Ø 21 x H 25 mm

### CONDENSING SYSTEM

Air cooled  
Water cooled

### REFRIGERANT GAS

R134a

### VOLTAGE V/Hz/ph

230/50/1  
230/60/1

### INTERNAL BIN CAPACITY

39 kg

### CERTIFICATIONS



### OPERATING REQUIREMENTS

	Minimum	Maximum
Air temperature	10	43
Water temperature	5	38
Water pressure	1 bar (14 psi)	5 bar (70 psi)
Electrical voltage	-10%	+10%

**IMPORTANT NOTICE:**  
Models and specifications are subject to change without notice.  
This spec sheet is meant for commercial purpose only.  
For technical documentation please refer to our service manuals.

[www.scotsman-ice.it](http://www.scotsman-ice.it)  
[www.scotsman-ice.com](http://www.scotsman-ice.com)

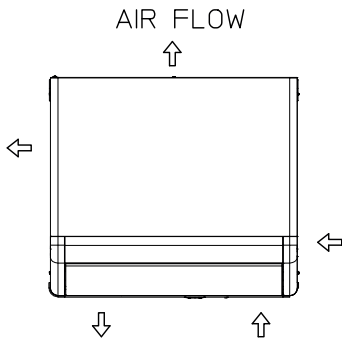
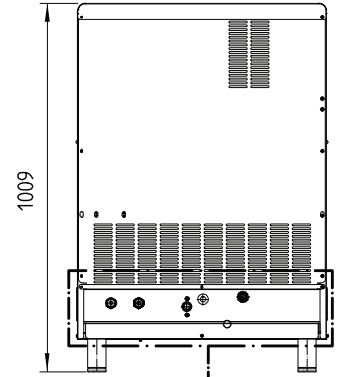
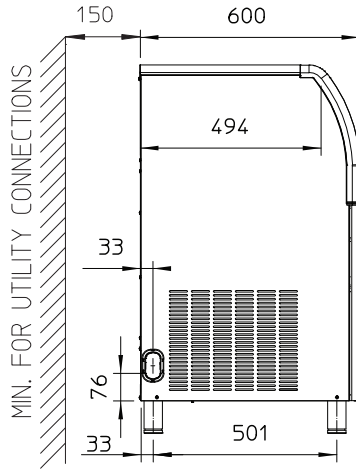
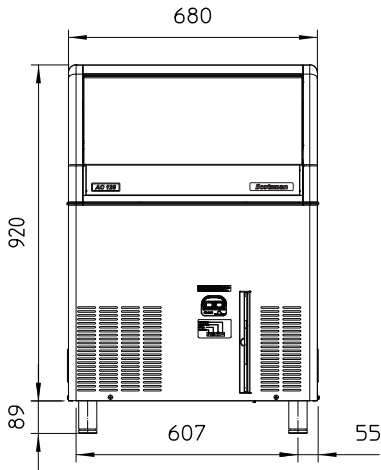
Self Contained Ice Machine 70 kg

# AC 126

## Self Contained Ice Machine 70 kg

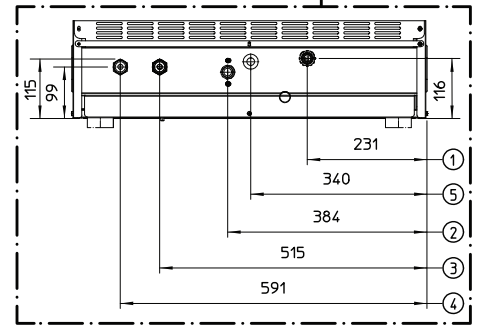
Item #:
Project:
Quantity:

Self Contained Ice Machine 70 kg



UNIT OF MEASUREMENT: mm

1. 25/32" OD - OVERFLOW DRAIN
2. 3/4" GAS - WATER INLET
3. 3/4" GAS - WATER OUTLET  
WATER COOLED UNIT ONLY
4. 3/4" GAS - WATER INLET  
WATER COOLED UNIT ONLY
5. CORD SET



UNIT DATA		SHIPPING DATA									
Size (W x D x H)	680 x 600 x 1009 mm	Carton (W x D x H)	750 x 670 x 1100 mm								
Net weight	65 kg	Weight	75 kg								
Version	Voltage	24 h ice production kg °C Amb. / °C Water			Energy consumption (*)		Water usage (*)	Instant power	Compressor	Circuit wires	Max. fuse size
		10°C/10°C kg	21°C/10°C kg	32°C/21°C kg	kWh/ 100 kg	kWh/ 24h	l/h	W	W	No. x Ømm²	A
ACL 126 AS	230/50/1	63	61	49	28.6	14.0	5.8	770	1440	3 x 1.5	10
ACL 126 WS	230/50/1	70	66	58	24.1	13.0	68.8	600	1440	3 x 1.5	10
ACM 126 AS	230/50/1	70	66	55	24.6	13.8	5.7	740	1450	3 x 1.5	10
ACM 126 WS	230/50/1	74	71	60	20.5	12.3	70.8	580	1450	3 x 1.5	10
ACS 126 AS	230/50/1	55	53	41	24.6	13.8	5.7	650	1450	3 x 1.5	10
ACS 126 WS	230/50/1	64	61	53	20.5	12.3	70.8	600	1450	3 x 1.5	10
ACL 126 AS	230/60/1	64	62	51	30.8	15.7	6.8	900	2000	3 x 1.5	10

(\*) Data refer to 32°C Amb. / 21°C Water temperature conditions

ติดต่อตัวแทนจำหน่าย

บริษัท เอส.บี. เคมิคอล ซัพพลาย เซอร์วิส จำกัด

เลขที่ 180/17 หมู่ที่ 12 ถนนรัตนพิศาล ต.บางพลีใหญ่ อ.บางพลี จ.สมุทรปราการ 10540

โทร. 02-3250278, 02-3165476 แฟกซ์ 02-3250279

มือถือ 08-1778-0304, 08-9093-2875

[www.sbdishwasher.com](http://www.sbdishwasher.com)